

COVER BOLT HOLE—4 REQ'D
EQUALLY SPACED (SEE
DETAIL THIS SHEET)

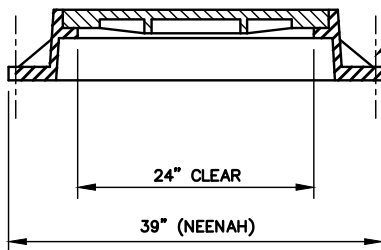
COVER PICK HOLE—2 REQ'D
EQUALLY SPACED (SEE
DETAIL THIS SHEET)

2 PICK HOLES

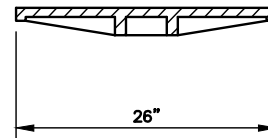
FRAME BOLT HOLE 1"
DIA. CORED HOLE
4 REQ'D—EQUALLY
SPACED ON 32" DIA
BOLT CIRCLE

MFG. STANDARD
NON-SKID SURFACE AS
APPROVED BY ENGINEER

CAST-IN LETTERS AS SPECIFIED



PROVIDE 4 - 1" DIA.
HOLES IN FRAME

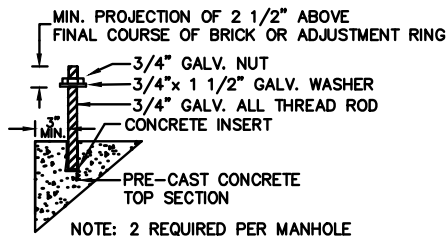


COVER

FRAME

1/2" DIAMETER BRONZE
OR STAINLESS STEEL
HEX HEAD BOLT

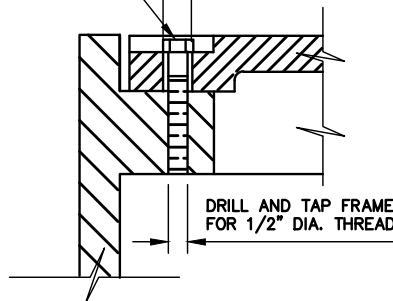
5/8" DIA. BOLT CLEARANCE
HOLE THRU COVER



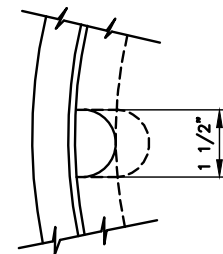
NOTE: 2 REQUIRED PER MANHOLE
PRE-CAST MANHOLE

M.H. ANCHOR BOLT DETAIL

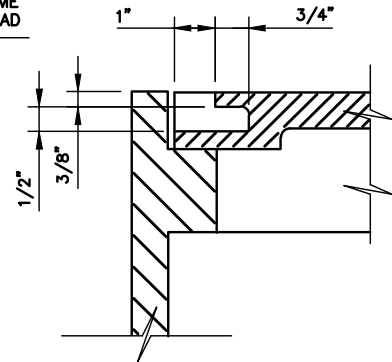
N.T.S.



COVER BOLT HOLE



PLAN



COVER PICK HOLE

SPECIFICATIONS :

ALL MATERIAL GRAY CAST IRON, A.S.T.M. A-48, CL30 SUITABLE FOR HIGHWAY LOADING
ALL FRAMES & COVERS SHALL BE COATED WITH COAL TAR PITCH VARNISH
COVER SHALL HAVE THE WORDS "PRA SEWER" CAST THEREON
FRAMES SHALL BE WATERPROOF AND COVER SHALL BE BOLTED WITH FOUR (4) 1/2"
COUNTERSUNK STAINLESS STEEL BOLTS MAKING A SEAL WITH A RUBBER "O" RING GASKET, OR EQUAL.
PROVIDE FOUR (4) ANCHOR BOLT HOLES, 1" DIA. MIN.

WATERPROOF MANHOLE FRAME & COVER

PREPARED FOR:

PERKASIE REGIONAL AUTHORITY

**ANDERSEN
ENGINEERING
ASSOCIATES
INCORPORATED**

306 NORTH FIFTH STREET, PERKASIE, PA
(215) 257-5711

DSN BY: P.C.A.

CHK BY: P.C.A.

DATE: 4/03/96

DWG NO. PRA-S06