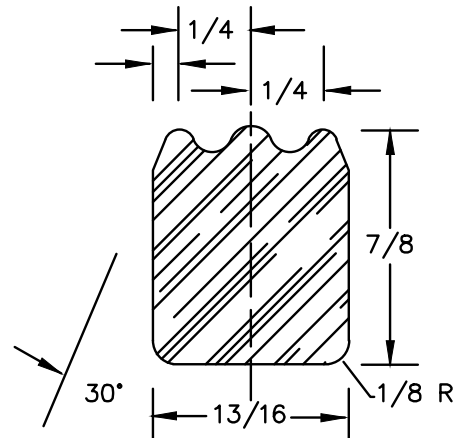
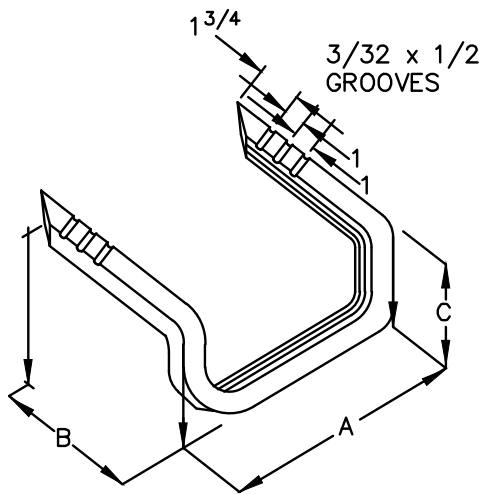


PRECAST MANHOLE (TYPE #1)



TYP. CROSS SECTION ON ALL STEPS



PRECAST MANHOLE (TYPE #2)

APPLICATION	DIMENSION (IN.)			
	A	B	C	D
PRECAST M.H. (TYPE 1)	13 <sup>3</sup> / <sub>4</sub>	10	3 <sup>3</sup> / <sub>4</sub>	—
PRECAST M.H. (TYPE 2)	13 <sup>3</sup> / <sub>4</sub>	11	3 <sup>3</sup> / <sub>4</sub>	—

## PRECAST MANHOLE STEPS DETAILS

N.T.S.

PRECAST MANHOLE STEP

PREPARED FOR:

PERKASIE REGIONAL AUTHORITY



306 NORTH FIFTH STREET, PERKASIE, PA  
(215) 257-5711

DSN BY: P.C.A.

CHK BY: P.C.A.

DATE: 3/15/96

DWG NO. PRA-S07